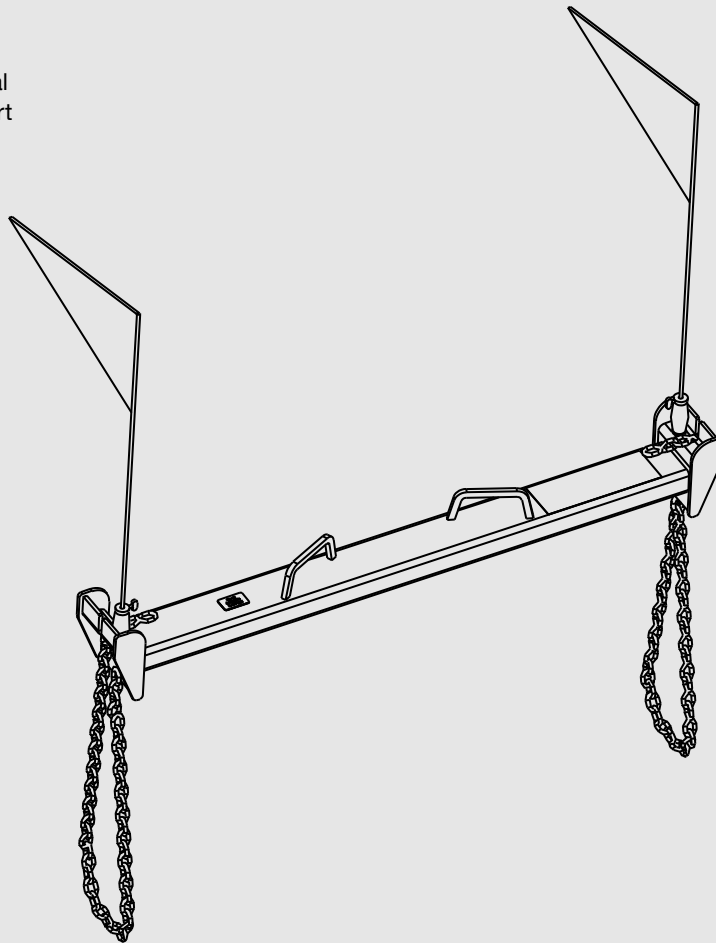


## MAHLE CAR-20

EN

Operation Manual  
Rear Axle Support





**EVERY PERSON WHO OPERATES THIS  
EQUIPMENT NEEDS TO KNOW AND  
UNDERSTAND ALL OF THE INFORMATION IN  
THIS MANUAL – FAILURE TO DO SO COULD  
RESULT IN SERIOUS INJURY OR DEATH.**

**READ THIS MANUAL  
CAREFULLY AND  
RETAIN FOR YOUR  
RECORDS**

# Contents

---

<b>1. Safety Regulations .....</b>	<b>4</b>
1.1 Safety Instructions .....	4
<b>2. Foreword.....</b>	<b>5</b>
2.1 From the manufacturer .....	5
<b>3. Symbols Use.....</b>	<b>5</b>
3.1 Signal words .....	5
<b>4. Responsibilities .....</b>	<b>6</b>
4.1 Receiving inspection.....	6
4.2 Owner and/or operator responsibilities .....	6
<b>5. Specifications .....</b>	<b>6</b>
<b>6. Operation.....</b>	<b>7</b>
6.1 Installing the Rear Axle Support.....	7
6.2 Assembling the Rear Axle Support.....	7
<b>7. Notes.....</b>	<b>8</b>

# 1. Safety Regulations

---

## 1.1 Safety Instructions

To avoid serious injury or death, read this manual carefully before operating this unit.

Failure to understand and obey safety instructions may result in unsafe or improper use of this product.

- ⚠** Do not overload the maximum supporting capacity of this device, 2,000 lbs. / 907 kg.
- ⚠** This device is to be used ONLY when supporting a rear axle assembly.
- ⚠** NEVER energize the air suspension while this device is in use.
- ⚠** NEVER operate vehicle while this device is in use.
- ⚠** Inspect device and chain before each use. If device or chain is damaged DO NOT use.
- ⚠** No alterations shall be made to this product.
- ⚠** Use this device only as it is intended to be used per the operating instructions. Using device for means other than the intended purpose could result in injury and/or property damage.
- ⚠** Observe all instructions and safety warnings that come with the device.

## 2. Foreword

### 2.1 From the manufacturer

Thank you for your purchase. To complement the offering of A/C, fluid and nitrogen service equipment, MAHLE Service Solutions has partnered with Gray Manufacturing to provide the highest quality hydraulic and pneumatic equipment available for the professional service technician. This equipment adheres to high standards promised in the MAHLE guarantee including the assurance of innovation and reliability that comes with the Gray Manufacturing name. Please contact MAHLE Service Solutions' customer service at (800) 468-2321 or [tech.mss@us.mahle.com](mailto:tech.mss@us.mahle.com) with any comments or questions.

## 3. Symbols Use

### 3.1 Signal words

Signal words call attention to a safety message or messages, or a property damage message or messages, and designate a degree or level of hazard seriousness. Signal words used in this manual include:

Keyword	Probability of occurrence	Severity of danger if instructions not observed
<b>DANGER</b>	<b>Immediate</b> impending <b>danger</b>	<b>Death</b> or <b>severe</b> injury.
<b>WARNING</b>	<b>Possible</b> impending <b>danger</b>	<b>Death</b> or <b>severe</b> injury
<b>CAUTION</b>	Possible <b>dangerous situation</b>	<b>Minor</b> injury
<b>NOTICE</b>	Possible <b>damage to property</b>	<b>Possible property damage</b>

## 4. Responsibilities

### 4.1 Receiving inspection

Before attempting to operate this equipment, thoroughly read and understand this manual. Completely remove all tape and packaging. Inspect the equipment immediately upon delivery. If shipping damage is evident, inform the delivering carrier immediately and contact the manufacturer using the contact information on the back cover of this manual.

### 4.2 Owner and/or operator responsibilities

The owner of this equipment must read these instructions and maintain them for future reference and for instructing any other users of the equipment. The owner is responsible for keeping all warning labels and instruction manuals legible and intact. Replacement labels and literature are available from the manufacturer. The owner must never authorize or allow anyone to use this equipment until the operator has read and understood the information in this manual and on the accompanying labeling on the equipment itself.

If this equipment is being used in an occupational setting (or workplace), the employer should ensure that all personnel working with and around the equipment know of the risks associated with its use. Personnel involved in the use and operation of this equipment shall be careful, competent, trained, and qualified in the safe operation of the equipment and its proper use when servicing motor vehicles and their components. Safety information provided with this equipment should be emphasized by the employer and understood by each employee. The employer must make this manual available to all personnel using this equipment and all personnel must read and understand the contents of this manual. If the operator is not fluent in English, the manufacturer's instructions and warnings shall be read to and discussed with the operator in the operator's native language by the employer, making sure that the operator comprehends its contents and observes the proper procedures for use of this equipment.

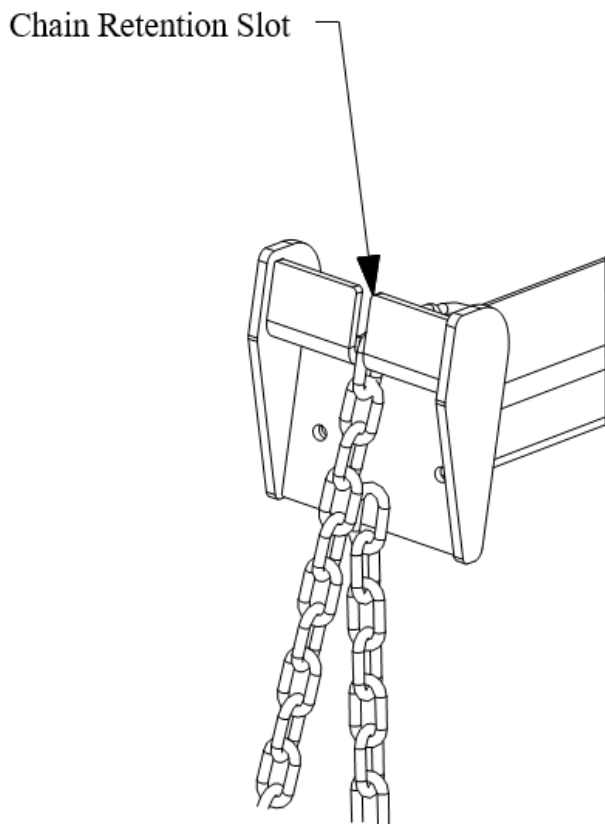
## 5. Specifications

Model CAR-20	US units	Metric units
Maximum capacity	2000 lbs.	907 kg
Frame Contact Width	44.5 in	113 cm
Chain Lengths	Approx. 72 in Each	Approx. 182.9 cm Each
Weight	40 lbs.	18 kg

## 6. Operation

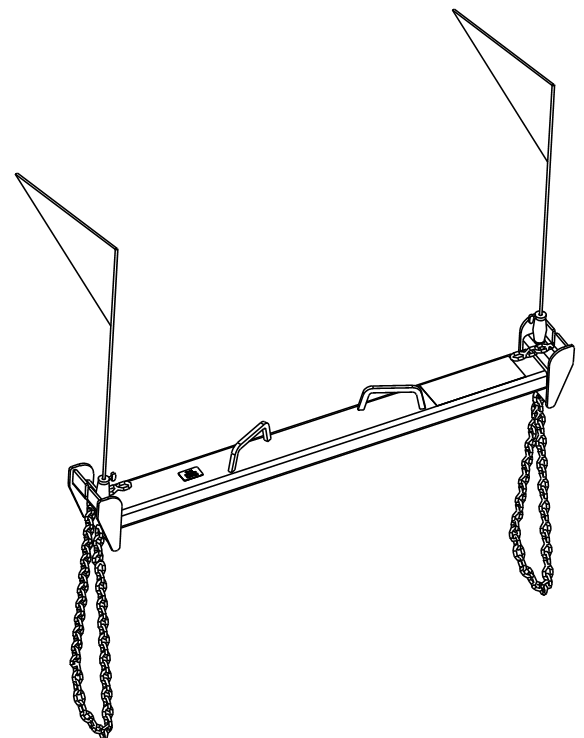
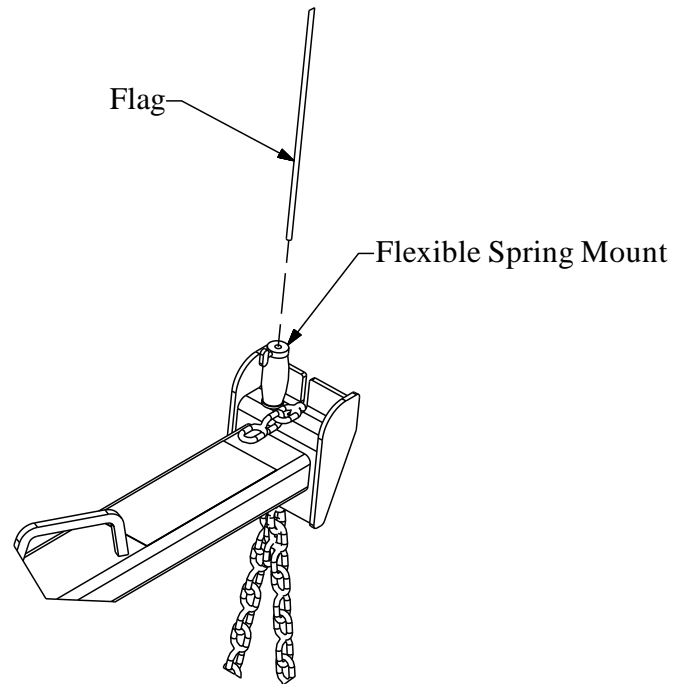
### 6.1 Installing the Rear Axle Support

1. Place device on the frame rails, directly over rear axle to be supported.
2. Loop chains around axle arm, pull chains tight and slip chain links into the chain retaining slot. Make sure chains are same length +/- 1 link.
3. Verify the chain links are properly positioned in the chain retaining slots.
4. \Lift vehicle, following instructions provided with the lifting device.
5. Once all maintenance has been done, remove device before entering the cab of the vehicle.



### 6.2 Assembling the Rear Axle Support

1. Remove all contents from the shipping carton.
2. Insert each flag 1-2 inches, into the flexible spring mounts on each side of the Rear Axle Support, as shown below.
3. Tighten the thumb screws to secure the flags to the flexible spring mounts.



## 7. Notes





# MAHLE

**MAHLE Aftermarket Inc.**  
916A West State Street  
St. Johns, Michigan 48879-1401 U.S.A.

670-90885\_A