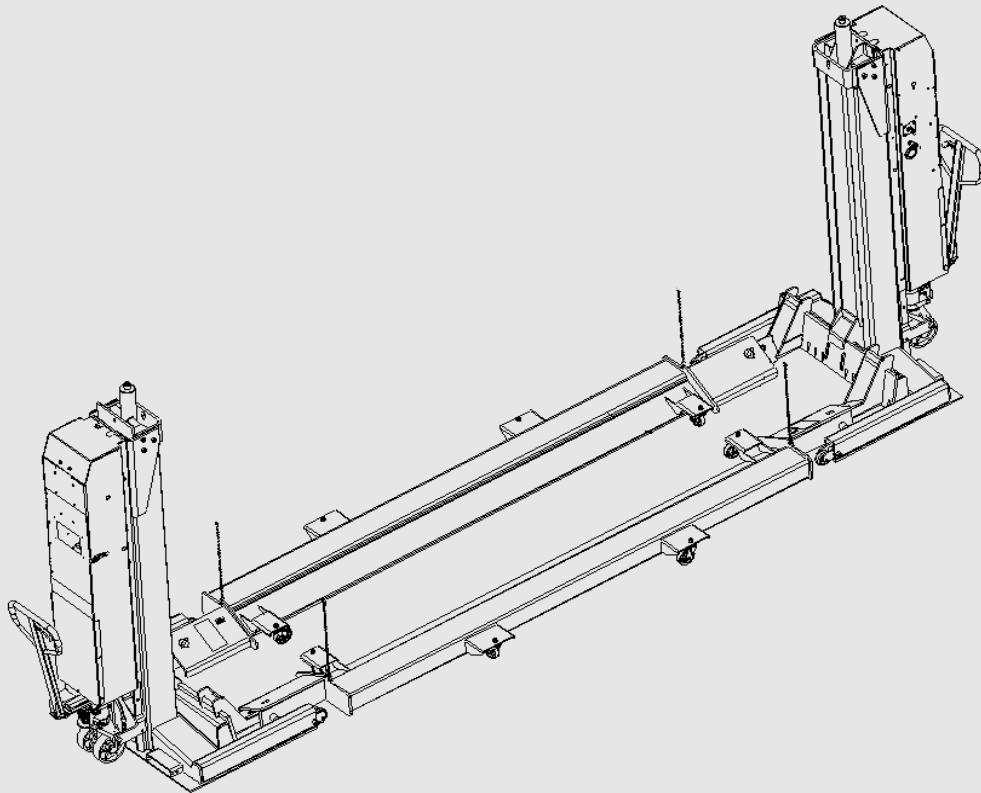


## MAHLE CAD-240ML

EN

Operation Manual  
CML Snow Plow Adapter





**EVERY PERSON WHO OPERATES THIS  
EQUIPMENT NEEDS TO KNOW AND  
UNDERSTAND ALL OF THE INFORMATION IN  
THIS MANUAL – FAILURE TO DO SO COULD  
RESULT IN SERIOUS INJURY OR DEATH.**

**READ THIS MANUAL  
CAREFULLY AND  
RETAIN FOR YOUR  
RECORDS**

# Contents

---

<b>1. Safety Regulations .....</b>	<b>4</b>
1.1 Safety Instructions.....	4
<b>2. Foreword.....</b>	<b>5</b>
2.1 From the manufacturer .....	5
<b>3. Specifications .....</b>	<b>5</b>
3.1 CAD-240ML .....	5
<b>4. Assembly .....</b>	<b>6</b>
<b>5. Operation .....</b>	<b>6</b>
<b>6. Product Diagram .....</b>	<b>7</b>
<b>7. Notes.....</b>	<b>8</b>

# 1. Safety Regulations

---

## 1.1 Safety Instructions

To avoid serious injury or death, read this manual carefully before operating this unit.

Failure to understand and obey safety instructions may result in unsafe or improper use of this product.

- ⚠ Do not overload the maximum lifting capacity of this adapter, 24,000 lbs. / 10,889 kg.
- ⚠ USE ONLY on a hard level surface capable of sustaining the load.
- ⚠ DO NOT use attachments or cribbing devices to increase the start height unless they are supplied by the manufacturer of this device.
- ⚠ NO alterations shall be made to this device.
- ⚠ ALWAYS ensure the adapter is fully engaged onto the hose device and secured using the provided locking pins.
- ⚠ NEVER attempt to use the adapter without the forks fully engaged.
- ⚠ ONLY use this adapter with a wheel engaging lifting system made by the same manufacturer as this adapter.
- ⚠ ALWAYS ensure that all obstructions have been removed from underneath the vehicle prior to lowering.
- ⚠ Inspect adapter before each use. If adapter is damaged DO NOT use.
- ⚠ Use this adapter only as it is intended to be used per the operating instructions. Using adapter for means other than the intended purpose could result in injury and/or property damage.

Observe all instructions and safety warnings that come with the adapter.

## 2. Foreword

### 2.1 From the manufacturer

Thank you for your purchase. To complement the offering of A/C, fluid and nitrogen service equipment, MAHLE Service Solutions has partnered with Gray Manufacturing to provide the highest quality hydraulic and pneumatic equipment available for the professional service technician. This equipment adheres to high standards promised in the MAHLE guarantee including the assurance of innovation and reliability that comes with the Gray Manufacturing name. Please contact MAHLE Service Solutions' customer service at (800) 468-2321 or [tech.mss@us.mahle.com](mailto:tech.mss@us.mahle.com) with any comments or questions.

## 3. Specifications

### 3.1 CAD-240ML

Model CAD-240ML	US units	Metric units
Capacity	24,000 lbs	10,886 kg
Weight	1,060 lbs	480.8 kg
Overall length	12'-9"	393.2 cm
Overall Width (Per Section)	2'-0"	61 cm
Overall Height	8 in.	20.3 cm
Max. Overall Track Width	8'-9"	271.3 cm

## 4. Assembly

---

1. Securely fasten items 1, 2 & 3 as shown in Detail B.
2. Fasten items 4, 5, & 6 to the adapter as shown in Detail B on the following page. Pliers can be used to crimp items 5 to adapter.

## 5. Operation

---

1. Place both parts of adapter in front of and behind the axle to be captured.
2. Push in two columns of the lift system, inserting the forks of the lift into the lift pockets on the adapter.

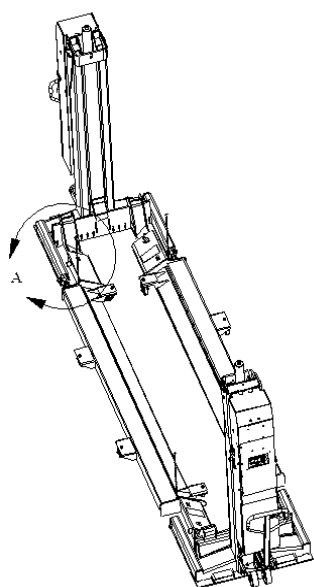
NOTE: The forks of the column lift can be adjusted to any width EXCEPT the outer most adjustment slot, as shown in Detail A on the following page.

Adjust adapter and column lift forks as necessary to capture the axle assembly being lifted.

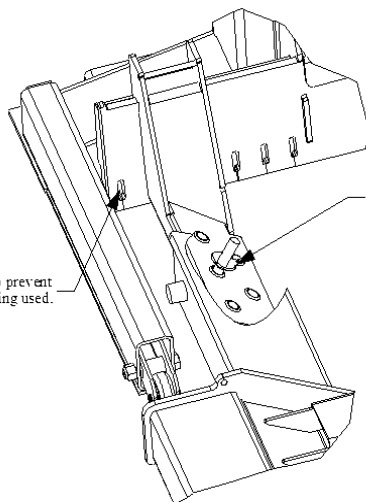
3. Insert all locking pins in appropriate holes of the column lift, as shown. If necessary, slightly raise lifts to align the pin hole of the lift to the pin hole of the adapter for pin insertion.
4. Perform maintenance on vehicle as needed

# 6. Product Diagram

ITEM	QTY	DESCRIPTION
6	4	Chain, 20" Long
5	8	S-Hook
4	4	Locking Pin
3	8	Lock Washer, Split Type
2	8	Nut, 1 2-13 UNC
1	8	Caster, Swivel, 4" Dia.

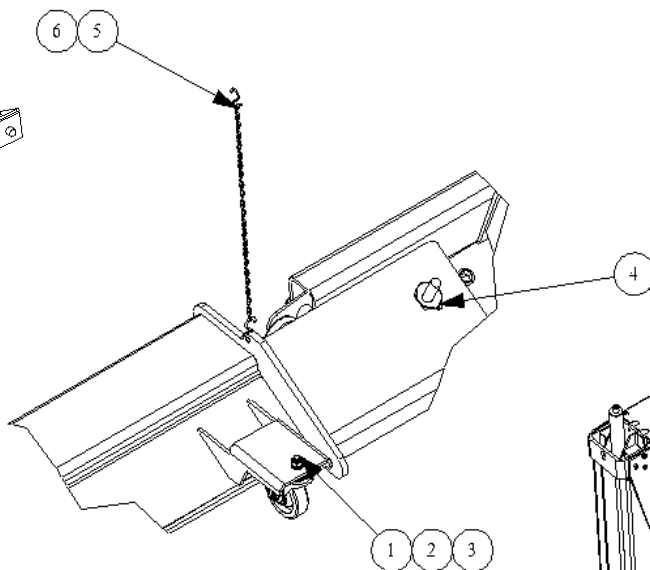
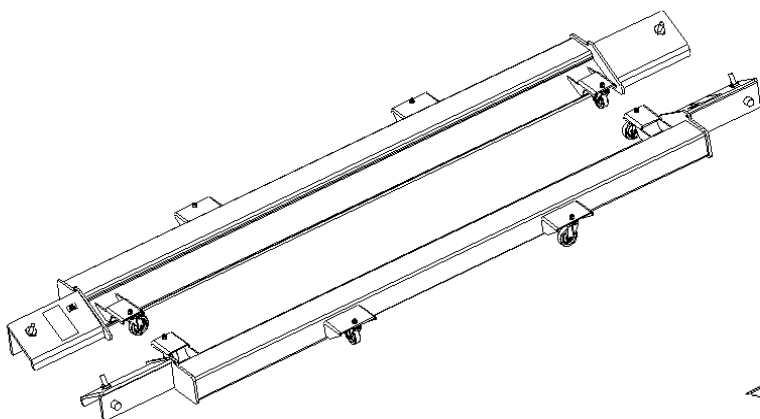


Adapter designed to prevent adjustment slot from being used.

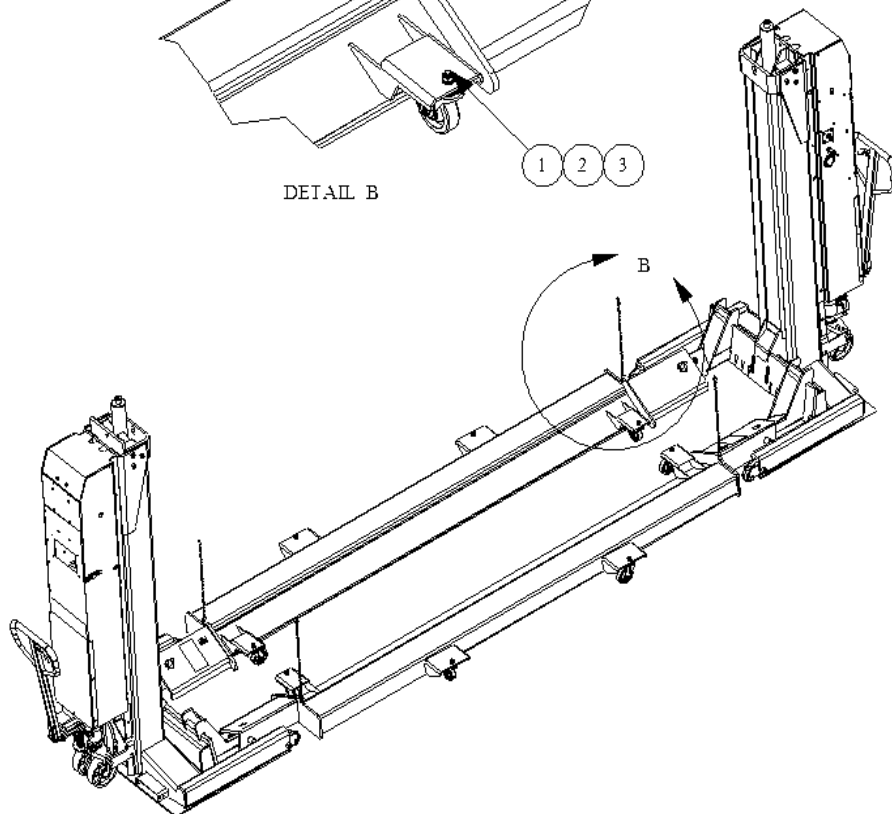


Locking pin must be put in this hole on lift system fork.

DETAIL A



DETAIL B



## 7. Notes





# MAHLE

**MAHLE Aftermarket Inc.**

916A West State Street  
St. Johns, Michigan 48879-1401 U.S.A.

Phone: (800) 468-2321

E-mail: [tech.mss@us.mahle.com](mailto:tech.mss@us.mahle.com)

[www.servicesolutions.mahle.com](http://www.servicesolutions.mahle.com)