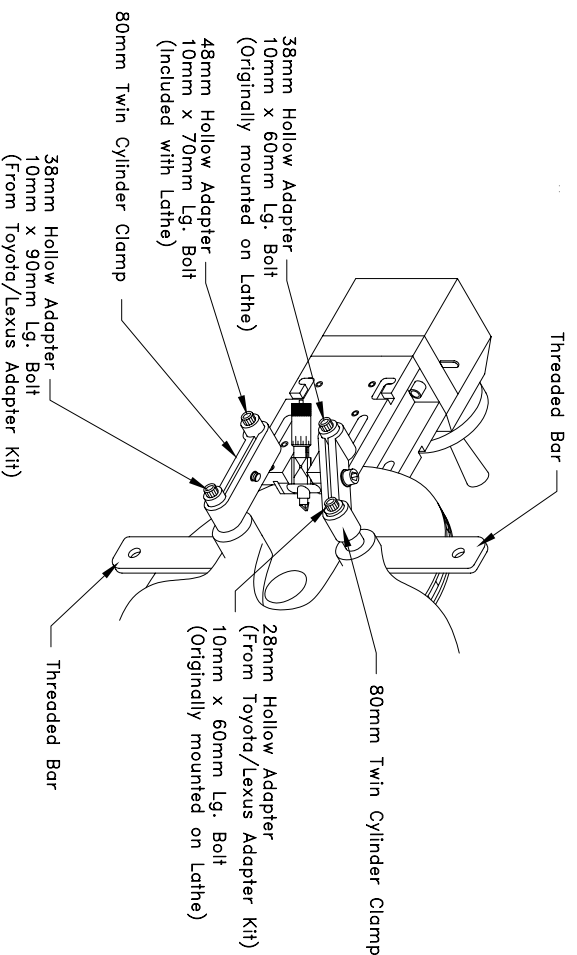
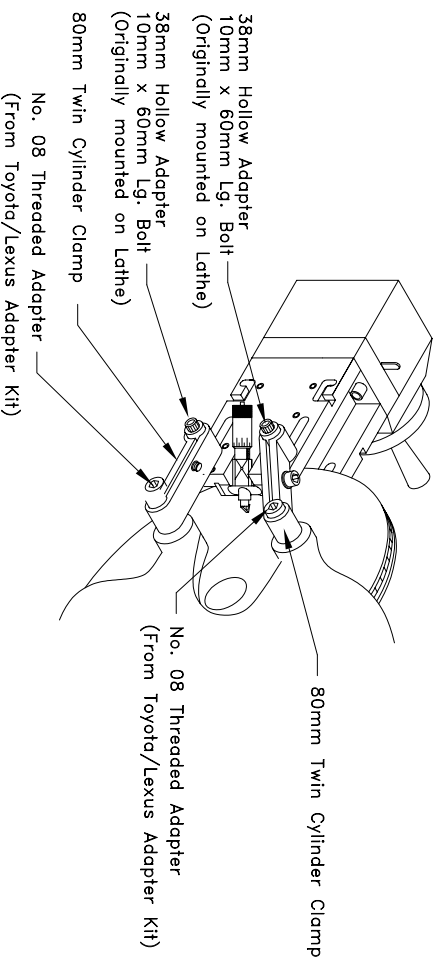


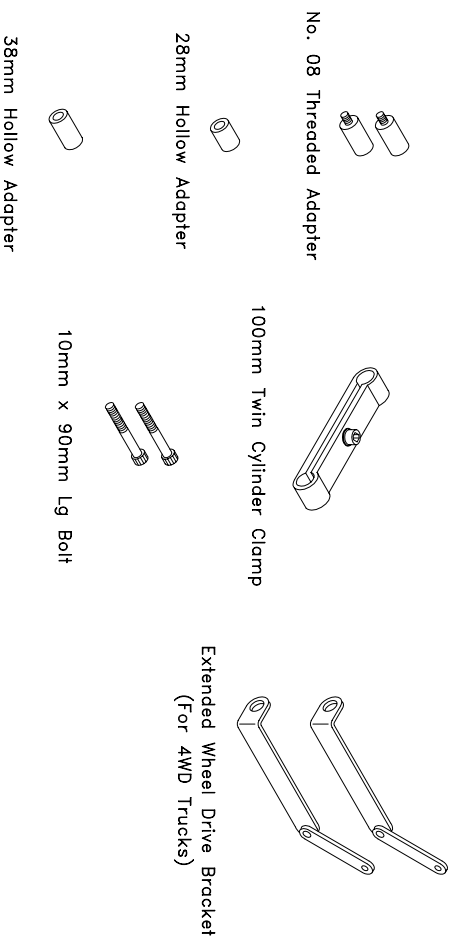
TOYOTA/LEXUS PASSENGER CAR – 2WD TRUCK



TOYOTA PREVIA



TOYOTA 4WD TRUCK – LANDCRUISER – LX450



TOYOTA/LEXUS ADAPTER KIT

Adapting the BRC35 to Toyota/Lexus Vehicles

570-80053-00