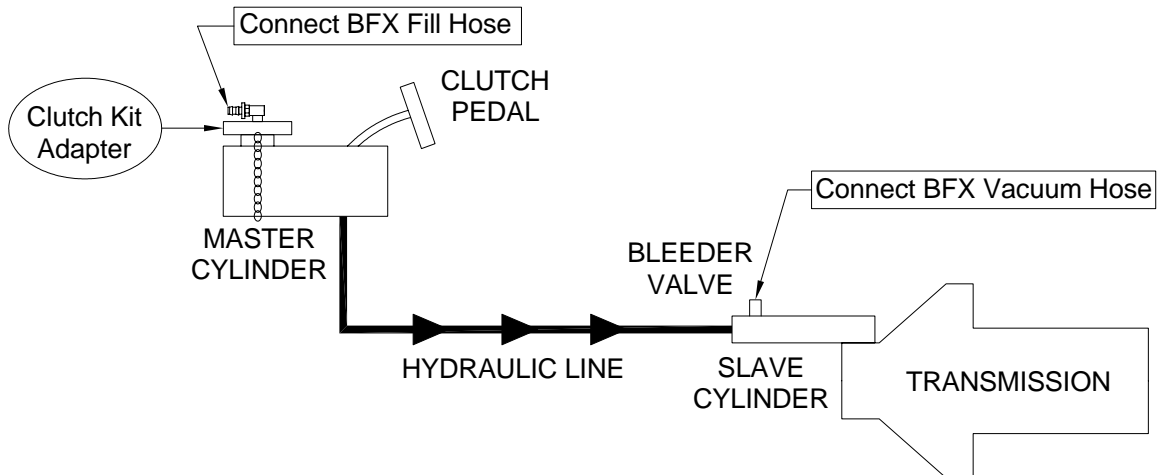
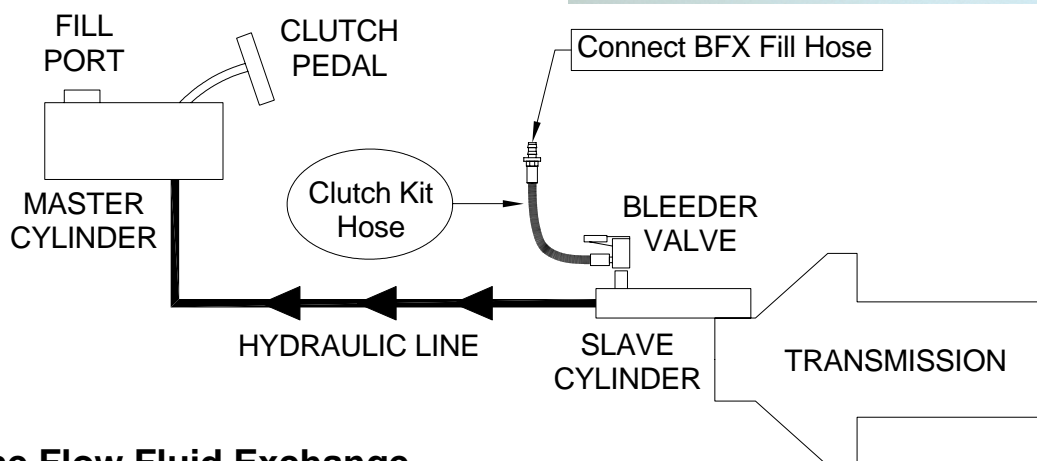


Clutch Flush Adapter Kit (433105)



Forward Flow Fluid Exchange

- Attach Clutch Kit Adapter (or any other adapter included as standard with the BFX) to the fill port on the Master Cylinder
- Connect BFX fill hose to the Clutch Kit Adapter
- Connect one of the BFX bleeder hoses to the Slave Cylinder Bleeder Valve
- Fluid will be exchanged forward as shown



Reverse Flow Fluid Exchange

- Attach Clutch Kit Hose to Slave Cylinder Bleeder Valve
- Connect BFX fill hose the Clutch Kit Hose
- Lower fluid level in Master Cylinder with BFX vacuum hose
- Fluid will be exchanged in reverse as shown