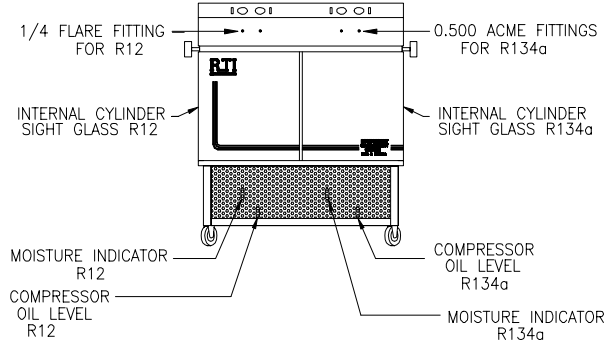


April 1996

RTI OPERATION GUIDE



TC2770

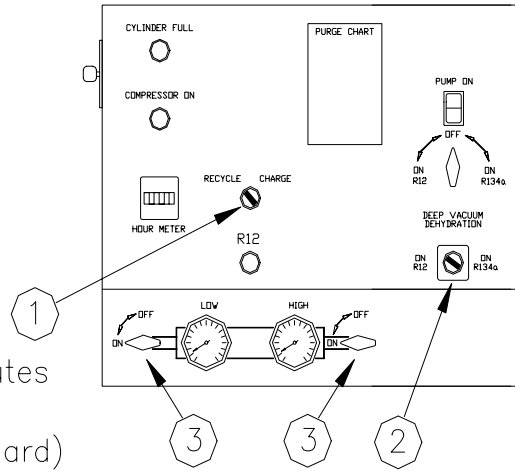
R12 or R134a

FOLLOWING INSTRUCTIONS DESCRIBE R12 SERVICE

SEE MANUAL FOR CAUTIONS

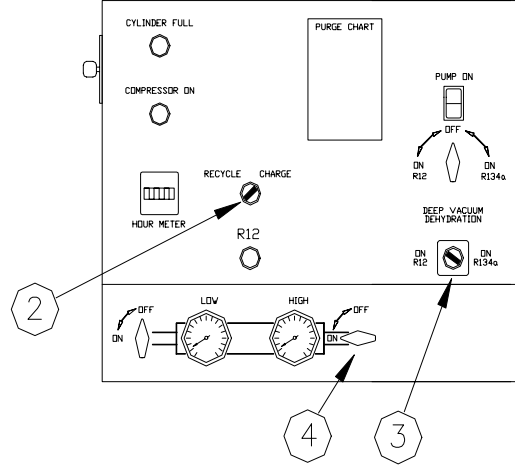
RECYCLE

- 1 Set to RECYCLE
- 2 Set to ON R12
- 3 Turn to ON (both valves)
- 4 Recover/Recycle refrigerant from A/C System High & Low Sides
- 5 When COMPRESSOR ON light stays OFF for at least 2 minutes Recovery is complete
- 6 Purge Air (See Back of this Card)



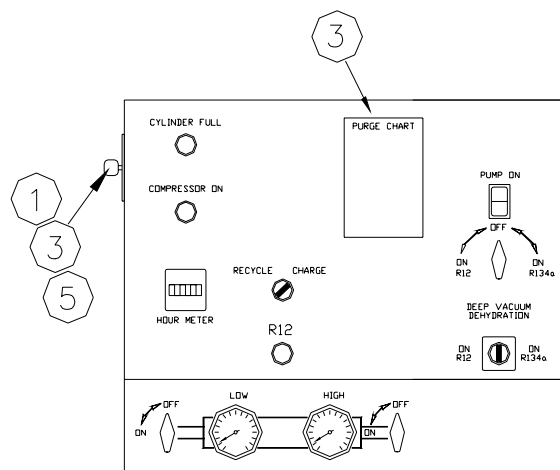
CHARGE

- 1 Connect high side hose (leave hose valve closed)
- 2 Set To CHARGE
- 3 Set to ON R12
- 4 Turn to ON (High Side Only)
- 5 Set O-ring on Charging Cylinder to correct charge amount
- 6 Open Ball Valve on Red Hose and charge correct amount into A/C System



AIR PURGE GUIDE

- 1 Turn Purge Valve clockwise until pressure on Purge Gauge decreases 5 PSI
- 2 Open Oil Drain Valve and drain oil
Leave Drain Valve OPEN
- 3 Turn Purge Valve clockwise until pressure approximates that shown for the ambient temperature on chart
- 4 Close Oil Drain Valve
- 5 Turn Purge Valve clockwise and hold for 5 Seconds



P/N 035-80362.00

DEEP VACUUM & DEHYDRATION

- 1 If there is a positive pressure at the A/C System... First perform Recycle Procedure
- 2 Set to DEEP VACUUM DEHYDRATION
- 3 Turn to ON (Both)
- 4 Set to PUMP ON
- 5 Turn to ON R12

(30 minutes recommended only if system is opened for parts replacement)

NOTE...

Special Vacuum Pump not designed to start if system already in vacuum. Relieve any vacuum before starting.

